

# Panasonic

PM-EB4UKFC-W

## 4MP Fixed Bullet IP Camera

Panasonic Cameras are developed to deliver high-performance security solutions, safeguarding homes, shops and offices with advanced technology and reliable surveillance. Featuring a combination of infrared (IR) and white LED lighting, these cameras are capable of capturing full-colour images even in low-light conditions, ensuring clear and detailed footage around the clock. Integrated with intelligent analytics, the cameras can automatically detect and respond to specific security events such as line crossing, region intrusion and more. These proactive features provide real-time alerts.



  **NDA A**  
COMPLIANT **H.265+ H.264**  
**H.265 JPEG**  **SECURE** **IP67**  
SSL ENCRYPTION

### Key Features

- 4MP Fixed Bullet Network camera
- Digital Wide Dynamic Range
- Color Night Vision: Color: 0.09 lux @F2.2, AGC ON
- 20~30m IR night view distance
- 10~20m white light view distance
- IP67 protection from dust and water
- Advanced encryption and access control
- NDA A

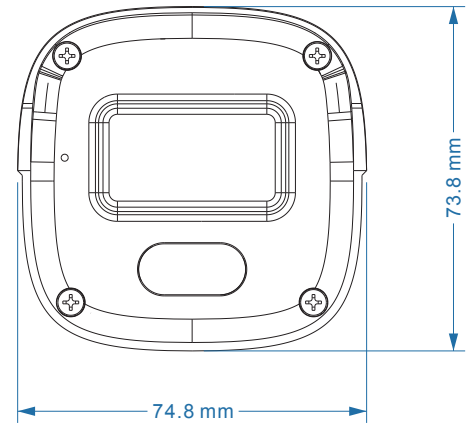
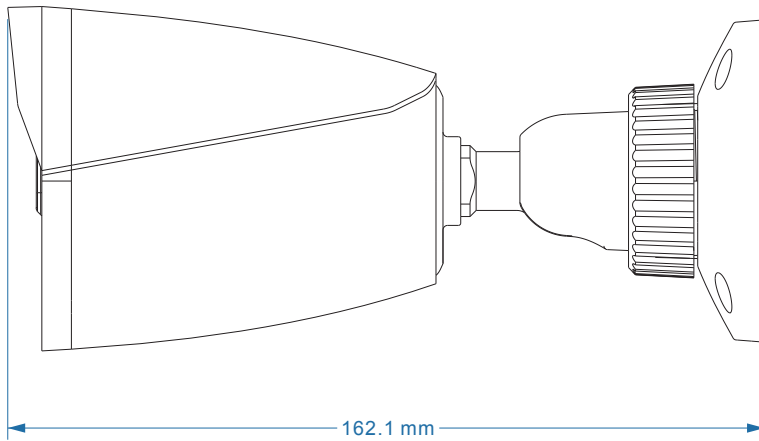
# Specifications

CAMERA	
Type	4MP Fixed Bullet Network Camera
Image Sensor	1/3"CMOS
Max Resolution	4MP(2560×1440)
Electronic Shutter	1/3s - 1/100000 s
Min. Illumination	Color: 0.09 lux @F2.2, AGC ON
IR Distance / Light Range	20~30m IR night view distance 10~20m white light view distance
LENS	
Focal length	2.8mm@F2.2
Focus	Fixed
Iris Type	Fixed Iris
Optical zoom	No
Lens Mount	M12
Angular Field of View	H.FoV: 96° V.FoV: 53.7° D.FoV: 112°
Day & Night	ICR
IMAGE	
Video Compression	Mainstream: H.265+/H.265/H.264+/H.264 Substream: H.265+/H.265/H.264+/H.264/MJPEG
Supported Resolution	4MP (2560×1440) 3M (2304×1296) 1080P (1920×1080) 720P (1280×720) D1(704×480) VGA (640×480) 480×240 CIF(352×288)
Number of Supported Stream	2
Mainstream	60Hz: 4MP/3MP/1080P/720P (1~30fps) 50Hz: 4MP/3MP/1080P/720P (1~25fps)
Sub Stream	60Hz: D1/VGA/CIF/480×240 (1~30fps) 50Hz: D1/VGA/CIF/480×240 (1~25fps)
Third Stream	-
Bit Rate	64 Kbps ~ 3 Mbps
Bit Rate Type	VBR/CBR
Image Settings	ROI Saturation Brightness Hue Contrast Wide Dynamic Sharpness Image Mirror Image Flip NR etc. adjustable through client software or web browser
Audio Compression	G711A/U
Region Of Interest	Each ROI to be configured separately
OPERATIONAL	
Wide Dynamic Range(WDR)	Digital WDR
Back Light Compensation (BLC)	Yes
High Light Compensation (HLC)	Yes
Defog	Yes
Digital Noise Reduction (DNR)	Yes
S/N ratio	≥50dB
Angle Adjustment	Pan: 0°~360° Tilt: 0°~80° Rotation: 0°~360°
INTERFACES	
Network	RJ 45 10M/100M self-adaptive Ethernet port
Video	-
Audio	1CH built-in MIC
Storage	-
Alarm	-
RS485	-
DORI DISTANCE	
Lens	2.8mm
Detect	57m(187ft)

# Specifications

Observe	23m(75ft)
Recognize	11m(36ft)
Identify	6m(20ft)
<b>INTELLIGENT ANALYTICS</b>	
Statistics	-
Audio Exception Detection	-
Face Detection	-
Face Recognition and Matching	
Video Metadata(Human/Vehicle Attributes / Two Wheelers)	-
<b>OTHER ANALYTICS</b>	
Motion Detection	Support smart motion detection Filtering motion alarm triggered by other target types except humans.
Smart Alarm	-
Smart Event	(Human) region intrusion detection (human) line crossing detection
<b>FUNCTIONS</b>	
Remote Monitoring	Web browser NVR Panasonic VMS 2.X Mobile APP
Web Browser	Chrome 89.0+ Edge 89.0+ Firefox 87.0+ Safari 14.0+
Online Connection	Support simultaneous monitoring for up to 3 users Support multi-stream real time transmission
Network Protocol	UDP, IPv4, IPv6, DHCP, NTP, RTSP, 802.1x, HTTP
Interface Protocol	ONVIF, Profile S
Other Functions	Watermark Video mask Heartbeat
Security	Video encryption Firmware encryption Configuration encryption Illegal login lock IP address filtering 802.1x authentication Basic and digest authentication for HTTP/RTSP NDAA
<b>GENERAL</b>	
Power Supply	DC12V/PoE
PoE	Yes, IEEE802.3af
Power Consumption	< 5W
Weather Protection	IP67 protection from dust and water
Operating Environment	-20°C-55°C [-4°F-131°F] Humidity: less than 95% (non-condensing)
Storage Environment	-20°C-60°C [-4°F-140°F] Humidity: less than 95% (non-condensing)
Dimensions (mm)	162.1×74.8×73.8
Weight (net)	Approx. 0.28KG
Installation	Ceiling mounting Wall mounting
Certificate	EMC: EN 55032:2015+A11:2020 EN 55035:2017+A11:2020 Safety: EN IEC 62368-1:2020+A11:2020 RoHS: 2011/65/EU

## Appearance



## Optional Accesories

### Mount Bracket



**PM-YH0103-W**  
Junction box



**PM-YH0104-W**  
Junction box



**PM-YH0301-W**  
Junction box



**PM-YH0301-W+**  
**PM-YZJ0501-W**  
Ceiling Mount  
Bracket



**PM-YH0301-W+**  
**PM-YZJ0601-W**  
Corner Mount  
Bracket



**PM-YH0301-W+**  
**PM-YZJ0810-W**  
Ceiling Mount  
Bracket

### Disclaimer:

Panasonic accepts no responsibility or liability for the performance of the network, nor for any third-party products used in conjunction with this system. Product dimensions and masses are approximate. Specifications are subject to change without notice.